

# 1000 BASE-T SINGLE-PORT TRANSFORMER MODULES

Ruggedized



- Compliant with IEEE802.3 Standards
- 350uH OCL with 8mA DC
- Storage and Storage Temperature: -40°C to +85°C
- Terminal Finish: Pure Tin
- Moisture Sensitivity Level: 1

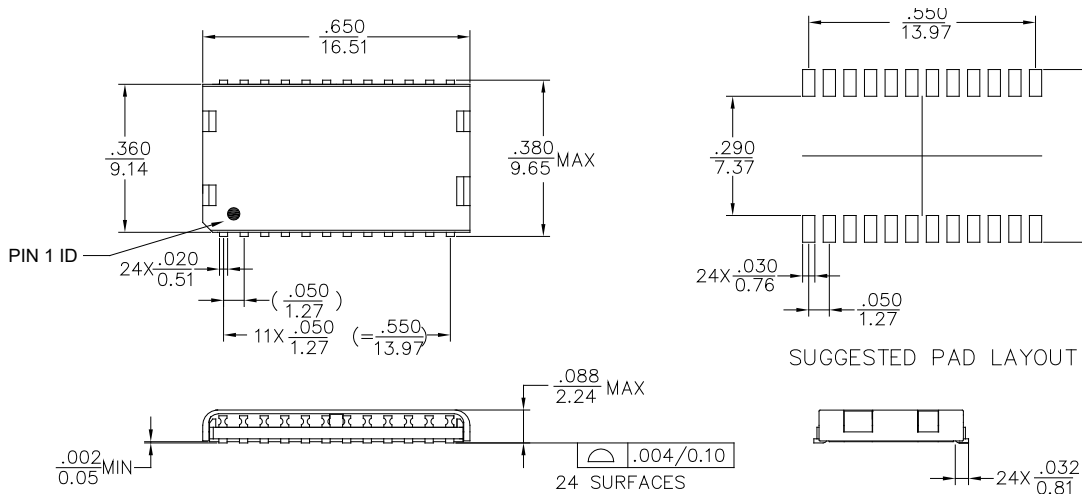
## Electrical Specifications @25°C

Part Number	Insertion Loss (dB MIN)	Return Loss (dB MAX)					Crosstalk (dB MAX)				Common Mode Rejection (dB MAX)					Hi-Pot @6s (Vrms MIN)
	0.1-100 MHz	1 MHz	40 MHz	60 MHz	80 MHz	100 MHz	1 MHz	30 MHz	60 MHz	100 MHz	1 MHz	30 MHz	60 MHz	100 MHz	125 MHz	
1000B-5032FNL	-1.2	-18	-16	-12	-10	-8	-50	-44	-37	-33	-42	-31	-25	-21	-19	1500

Notes: Optional Tape & Reel packaging can be ordered by adding a "T" suffix to the part number (ie.1000B-5032FNLT).

## Mechanical

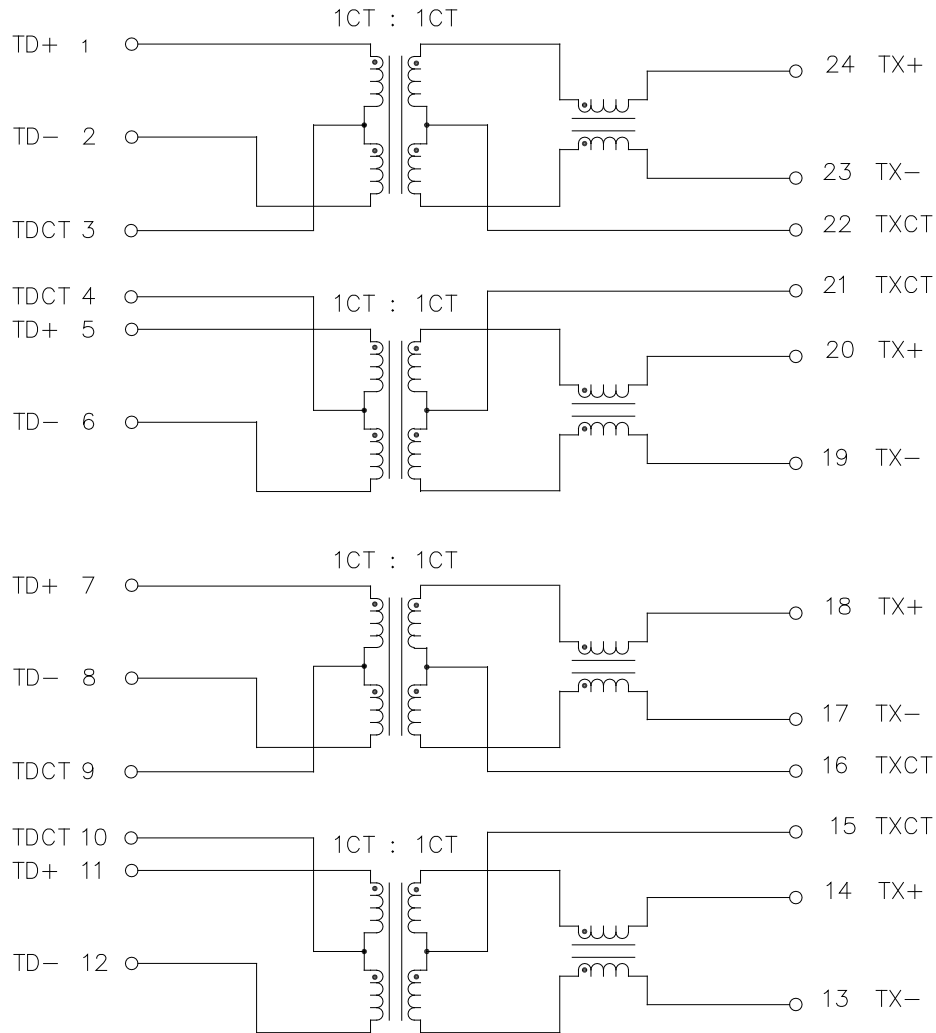
### 1000B-5032FNL



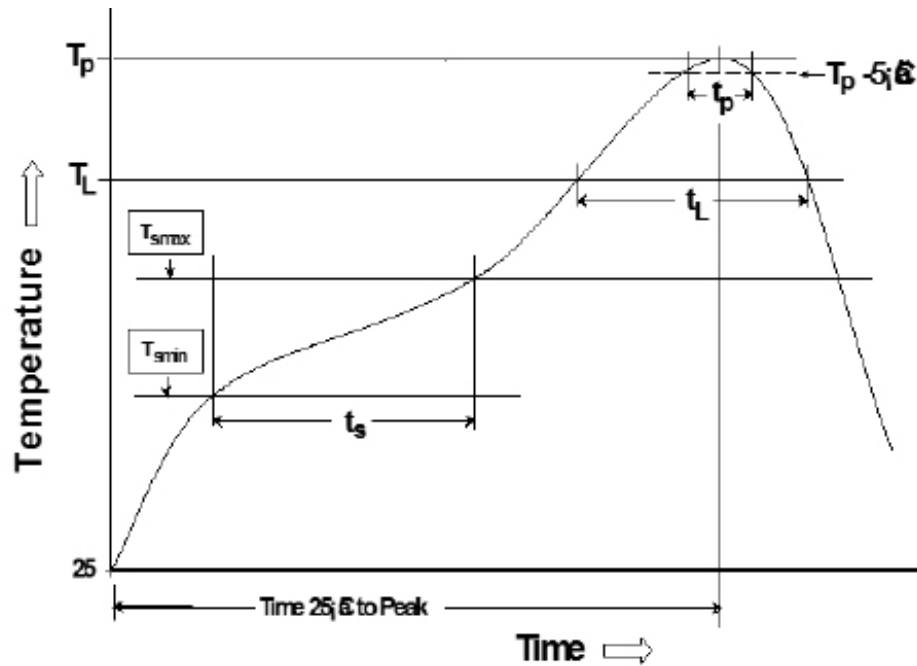
Weight .....0.7 grams max  
 Tube .....30/Tube  
 Tape & Reel ...1000/Reel  
 Dimensions: Inches[mm]  
 Unless otherwise specified, all tolerances are  $\pm .010$ [0.25]

Schematic

1000B-5032FNL



## Transceiver Tin/Lead Recommended Reflow Profile (Based on J-STD-020D)



$T_{SMIN}$ (°C)	$T_{SMAX}$ (°C)	$T_L$ (°C)	$T_P$ (°C MAX)	$t_s$ (s)	$t_L$ (s)	$t_p$ (s MAX)	Ramp-up rate ( $T_L$ to $T_P$ )	Ramp-down rate ( $T_P$ to $T_L$ )	Time 25°C to peak temperature (s MAX)
100	150	183	225	60-120	60-150	20	3°C/s MAX	6°C/s MAX	360

**Notes:**

1. All temperatures measured on the package leads.
2. Maximum times of reflow cycle: 2.

### For More Information

PulseR North America  
Headquarters  
Two Pearl Buck Court  
Bristol, PA 19007  
U.S.A.

For Global Sales Representatives and Locations Visit:  
<http://www.pulseruggedized.com>

Tel: +1.215.781.6400  
Fax: +1.215.781.6403

Performance warranty of products offered on this data sheet is limited to the parameters specified. Data is subject to change without notice. Other brand and product names mentioned herein may be trademarks or registered trademarks of their respective owners. © Copyright, 2018. PulseR, LLC. All rights reserved.