

# 10/100 BASE-T Single-Port TRANSFORMER MODULES

Ruggedized

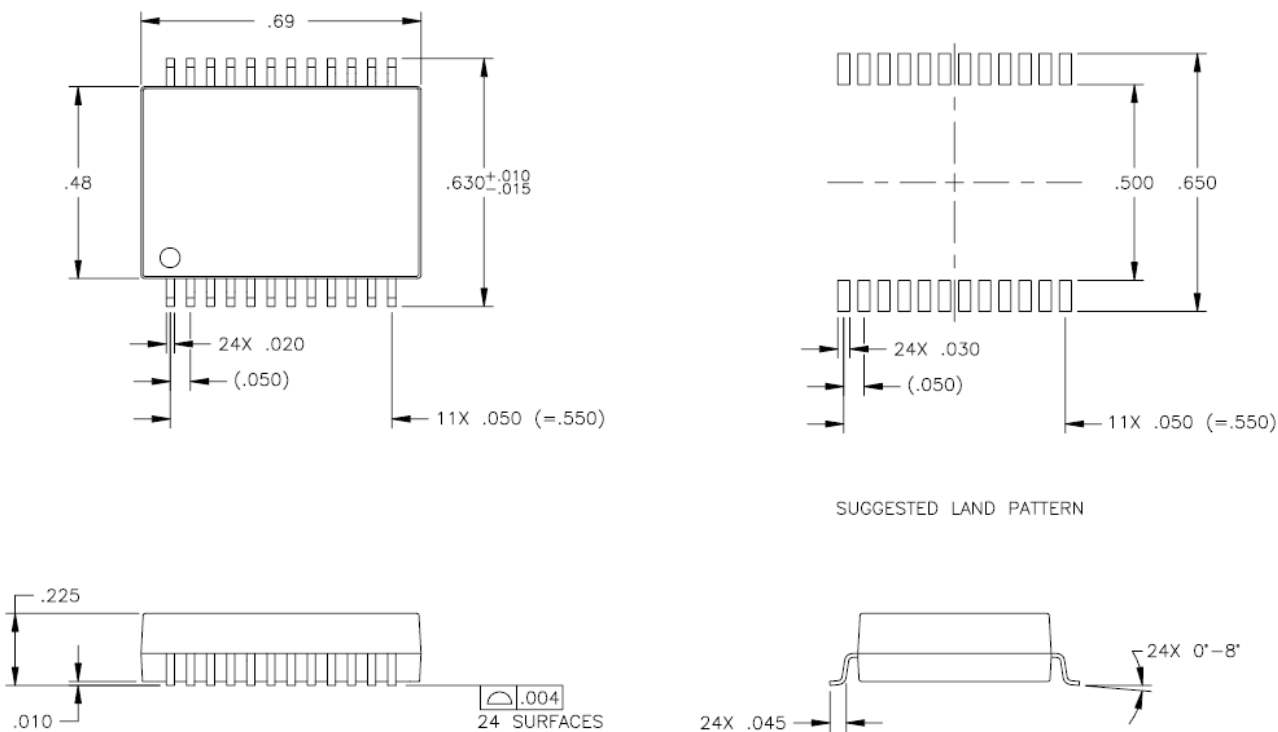


- Ⓡ Compliant with IEE 802.3u and ANSI X3.263 Standards
- Ⓡ 350μH OCL with 8mA bias at extended temperatures
- Ⓡ Operating Temperature:
  - 100B-1011: -40°C to +85°C
  - 100B-1011X: -55°C to +125°C - Extended Temperature
- Ⓡ IC grade transfer-molded package withstands 235°C peak profile
- Ⓡ Lead Finish Sn63/Pb37
- Ⓡ Moisture Sensitivity Level: 3

Electrical Specifications @ 25°C - Storage Temperature -55°C to +125°C										
Part Number	Insertion Loss (dB MIN)	Return Loss (dB MAX)			Crosstalk DCR (Ω MAX)			DM to CM Rejection Ratio (dB MAX)		
		30 MHz	60 MHz	80MHz	30 MHz	60 MHz	100MHz	30 MHz	60 MHz	100 MHz
100B-1011	0.1-100 MHz	30 MHz	60 MHz	80MHz	30 MHz	60 MHz	100MHz	30 MHz	60 MHz	100 MHz
	-1.20	-18	-12	-12	-43	-37	-35	-42	-37	-33
100B-1011X	0.1-100 MHz	30 MHz	60 MHz	80MHz	30 MHz	60 MHz	100MHz	30 MHz	60 MHz	100 MHz
	-1.20	-18	-12	-12	-43	-37	-35	-42	-37	-33

## Mechanical

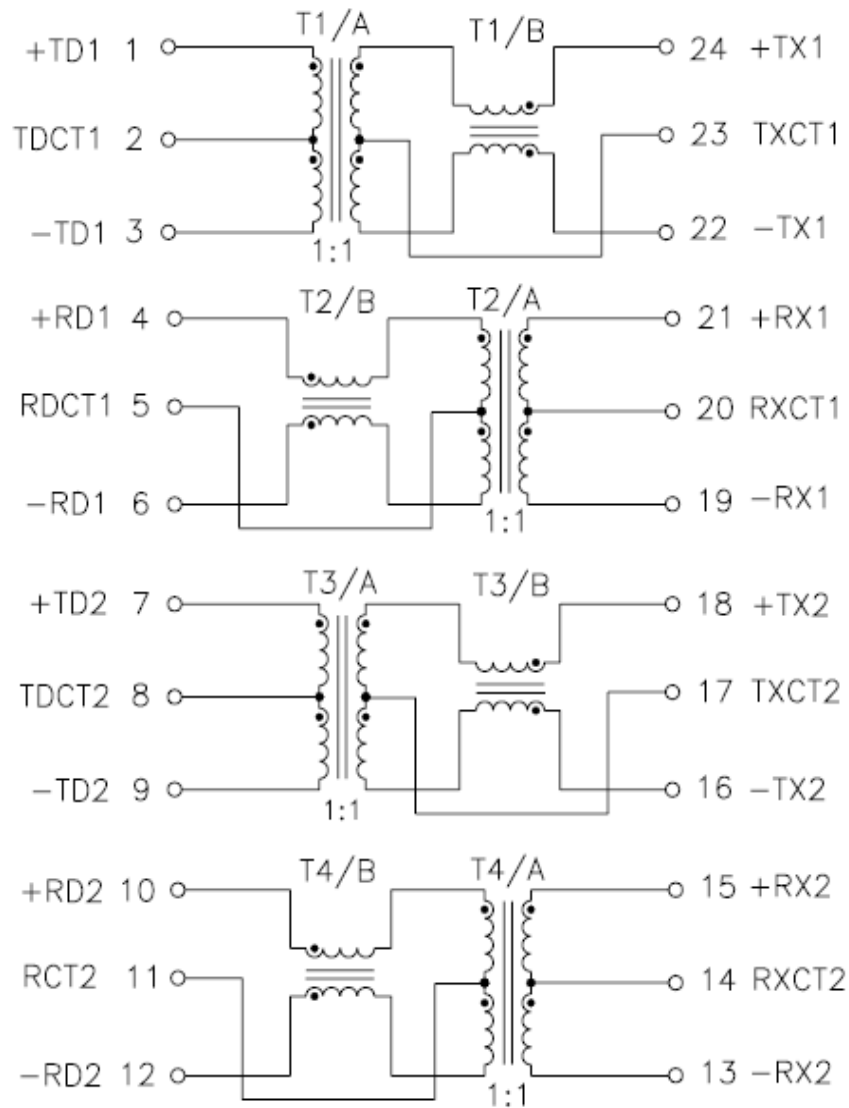
### 100B-1011/X



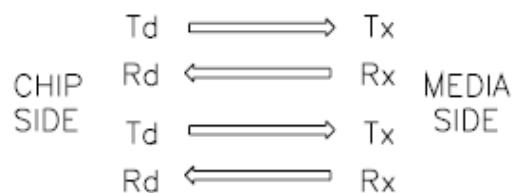
- Notes:**
1. Weight..... 3.825gm
  2. Pan/Tube Size= 25

## Schematic

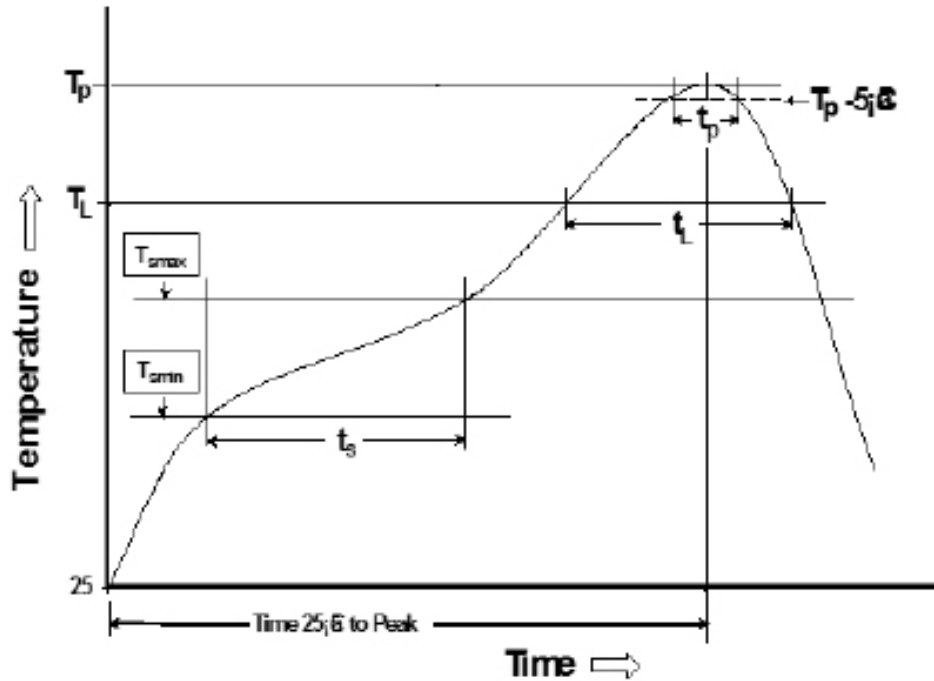
100B-1011/X



## SCHEMATIC



Tin/Lead Recommended Reflow Profile (Based on J-STD-020D)



$T_{SMIN}$ (°C)	$T_{SMAX}$ (°C)	$T_L$ (°C)	$T_P$ (°C MAX)	$t_s$ (s)	$t_L$ (s)	$t_p$ (s MAX)	Ramp-up rate ( $T_L$ to $T_P$ )	Ramp-down rate ( $T_P$ to $T_L$ )	Time 25°C to peak temperature (s MAX)
100	150	183	235	60-120	60-150	20	3°C/s MAX	6°C/s MAX	360

Notes:

1. All temperatures measured on the package leads.
2. Maximum times of reflow cycle: 2.

For More Information

PulseR North America  
Headquarters  
Two Pearl Buck Court  
Bristol, PA 19007  
U.S.A.

For Global Sales Representatives and Locations Visit:  
<http://www.pulseruggedized.com>

Tel: +1.215. 781. 6400  
Fax: +1.215. 781. 6403

Performance warranty of products offered on this data sheet is limited to the parameters specified. Data is subject to change without notice. Other brand and product names mentioned herein may be trademarks or registered trademarks of their respective owners. © Copyright, 2018, PulseR, LLC. All rights reserved.