

# 10/100BASE-TX SINGLE PORT TRANSFORMER MODULES

Ruggedized



- R** Compliant with IEEE 802.3u & ANSI X3.263 standards 350uH OCL with 8mA DC
- R** Operating temperature: -55°C to +125°C
- R** IC grade transfer-molded package withstands 235°C peak temperature profile.
- R** Tape and reel version available: 100B-1018XT
- R** Moisture Sensitivity Level: 3

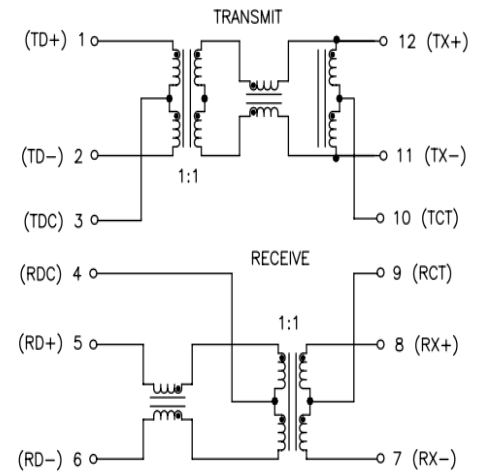
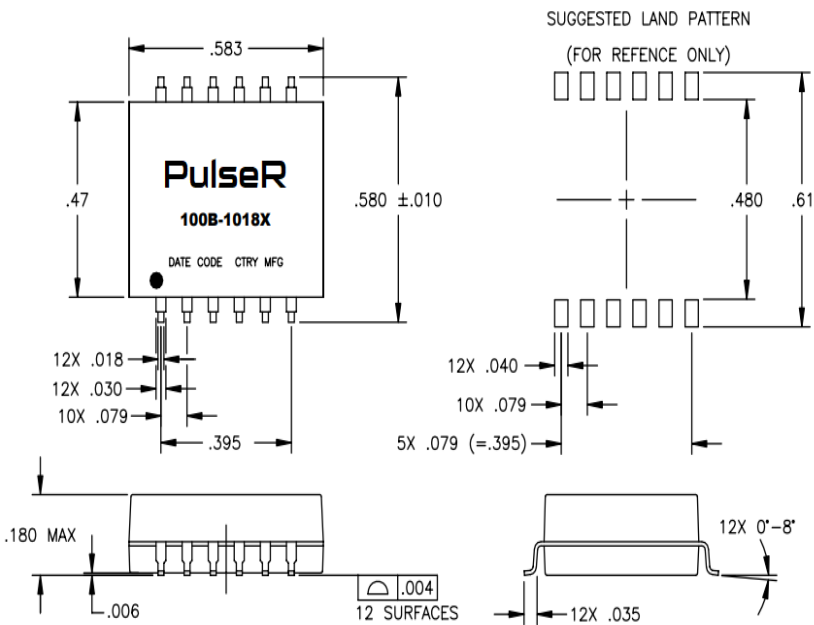
## Electrical Specifications @ 25°C

Part Number	Insertion Loss (dB MAX)	Return Loss (dB MIN)				Crosstalk (dB MIN)				Differential to Common Mode Rejection (dB MIN)		
	0.1-100MHz	2-30 MHz	50MHz	60 MHz	80 MHz	16 MHz	30 MHz	60 MHz	80 MHz	0.1-30MHz	30-60MHz	60-100MHz
100B-1018X	-1.20	-18	-14	-12	-10	-48	-44	-40	-38	TX:-45	TX:-40	TX:-38
										RX:-45	RX:-40	RX:-33

## Mechanicals

## Schematic

### 100B-1018X



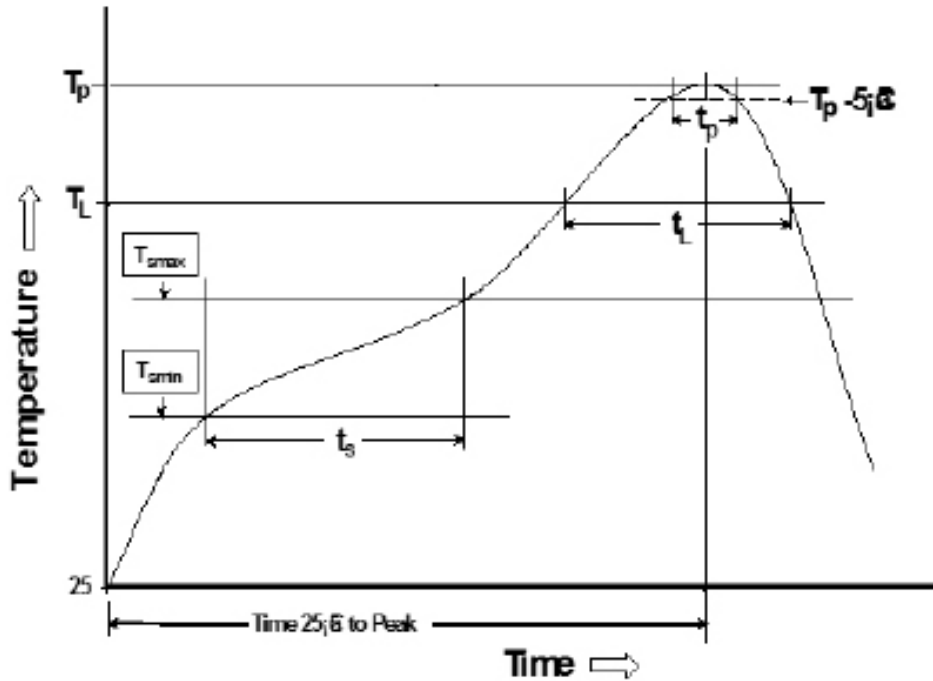
Weight.....1.7 grams  
 Tape & Reel..... 350/reel  
 Tray.....30/tray  
 Dimensions: Inches  
 mm  
 Unless otherwise specified,  
 all tolerances are ± .010  
 0,25

# 10/100BASE-TX SINGLE PORT TRANSFORMER MODULES

Ruggedized



## Tin/Lead Recommended Reflow Profile (Based on J-STD-020D)



$T_{SMIN}$ (°C)	$T_{SMAX}$ (°C)	$T_L$ (°C)	$T_P$ (°C MAX)	$t_s$ (s)	$t_L$ (s)	$t_p$ (s MAX)	Ramp-up rate ( $T_L$ to $T_P$ )	Ramp-down rate ( $T_P$ to $T_L$ )	Time 25°C to peak temperature (s MAX)
100	150	183	235	60-120	60-150	20	3°C/s MAX	6°C/s MAX	360

Notes:

1. All temperatures measured on the package leads.
2. Maximum times of reflow cycle: 2.

### For More Information

PulseR North America  
Headquarters  
Two Pearl Buck Court  
Bristol, PA 19007  
U.S.A.

For Global Sales Representatives and Locations Visit:  
<http://www.pulseruggedized.com>

Tel: +1. 215. 781. 6400  
Fax: +1.215. 781. 6403

Performance warranty of products offered on this data sheet is limited to the parameters specified. Data is subject to change without notice. Other brand and product names mentioned herein may be trademarks or registered trademarks of their respective owners. © Copyright, 2018. PulseR, LLC. All rights reserved.