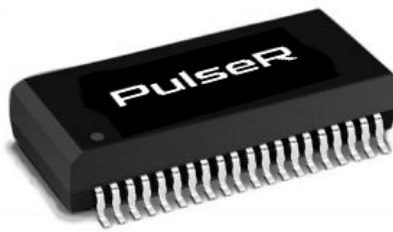


10/100BASE-TX QUAD-PORT TRANSFORMER MODULES

Ruggedized



- Compliant with IEEE 802.3u and ANSI X3.263 standards
- 350µH OCL with 8mA bias
- Operating and storage temperature: -40°C to +85°C
- IC grade transfer-molded package withstands 235°C peak temperature profile
- AS9100 Certified (Based on and including ISO 9001:2000)
- Moisture Sensitivity Level: 3

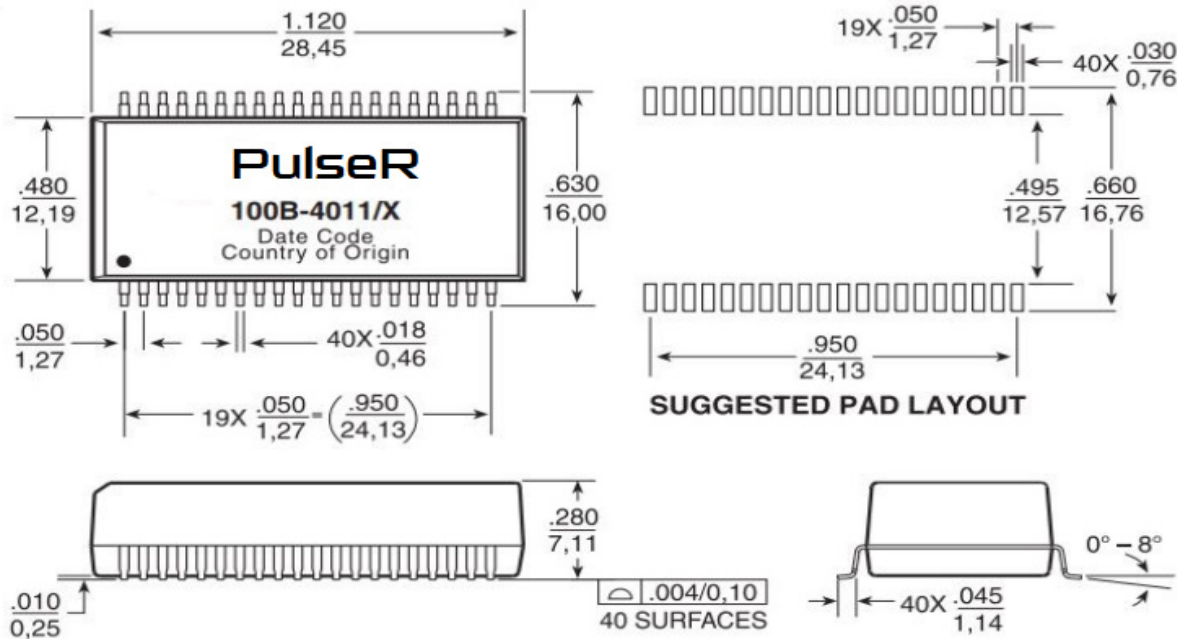
Electrical Specifications @ 25°C

Part ^{1,2,3} Number	Insertion Loss (dB MAX)	Return Loss (db MIN)				Crosstalk (db MAX)				Differential to Common Mode Rejection (db MIN)			
	0.1 - 100MHz	5MHz	30MHz	60MHz	80MHz	1MHz	30MHz	60MHz	80MHz	30MHz	60MHz	80MHz	200MHz
100B-4011	-1.2	-16	-16	-12	-12	-50	-43	-37	-33	-42	-37	-33	-25

Notes: 1. Add suffix X for extended temp version (ie. 100B-4011X); 2. Add suffix NL for RoHS compliant version (100B-4011NL); 3. Add suffix T for tape and reel

Mechanical

100B-4011X



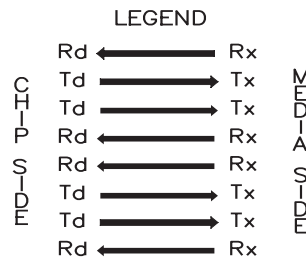
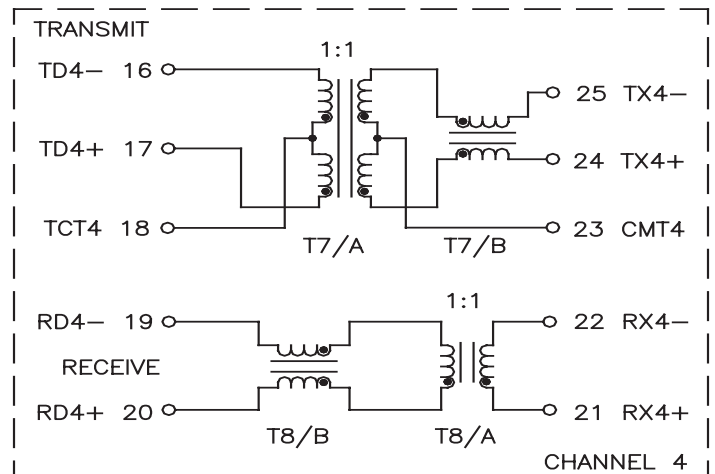
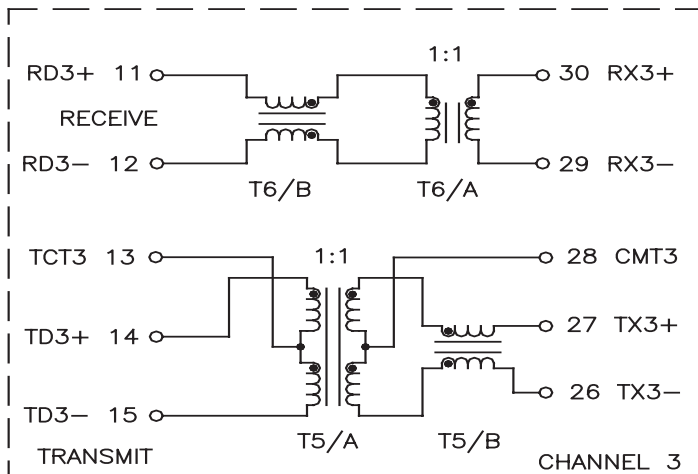
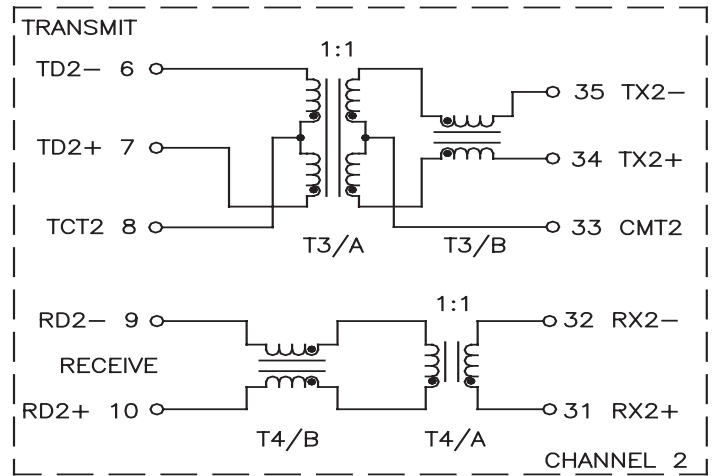
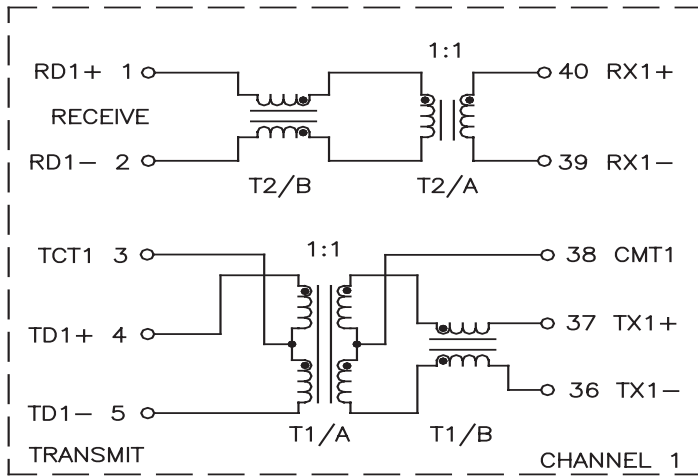
Weight 4.0 grams TYP
 Tape and Reel 250/reel
 Tray 15/tray

Dimensions: $\frac{\text{Inches}}{\text{mm}}$
 Unless otherwise specified, all tolerances are $\pm \frac{.010}{0.25}$

10/100BASE-TX QUAD-PORT TRANSFORMER MODULES

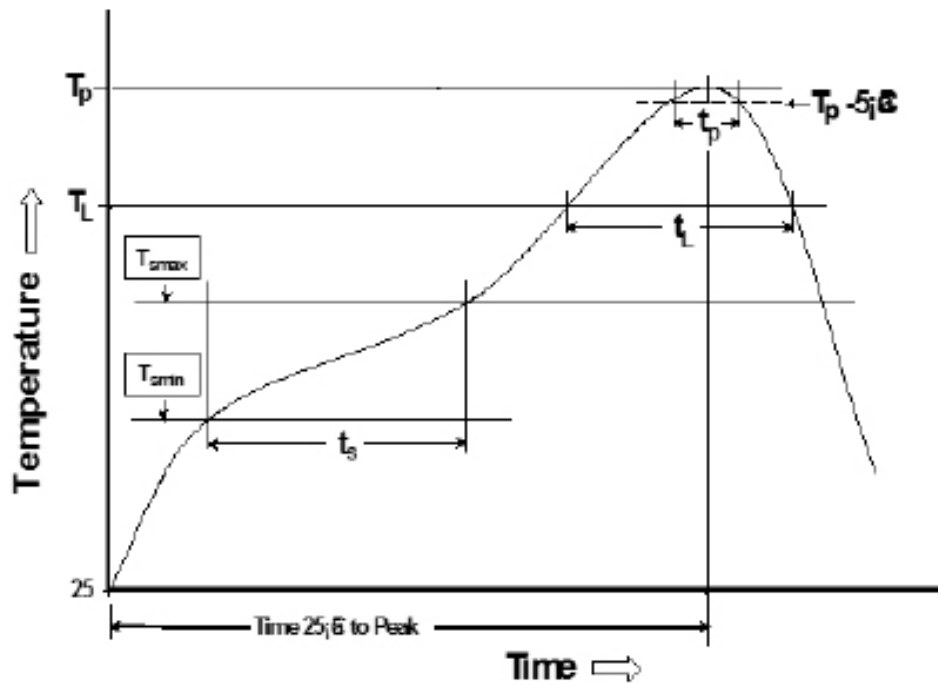
Ruggedized

Schematics



ALL CHANNELS ARE IN PHASE BETWEEN INPUT AND OUTPUT

Tin/Lead Recommended Reflow Profile (Based on J-STD-020D)



T_{SMIN} (°C)	T_{SMAX} (°C)	T_L (°C)	T_P (°C MAX)	t_s (s)	t_L (s)	t_p (s MAX)	Ramp-up rate (T_L to T_P)	Ramp-down rate (T_P to T_L)	Time 25°C to peak temperature (s MAX)
100	150	183	235	60-120	60-150	20	3°C/s MAX	6°C/s MAX	360

Notes:

1. All temperatures measured on the package leads.
2. Maximum times of reflow cycle: 2.

For More Information

PulseR North America
Headquarters
Two Pearl Buck Court
Bristol, PA 19007
U.S.A.

For Global Sales Representatives and Locations Visit:
<http://www.pulseruggedized.com>

Tel: +1.215.781.6400
Fax: +1.215.781.6403

Performance warranty of products offered on this data sheet is limited to the parameters specified. Data is subject to change without notice. Other brand and product names mentioned herein may be trademarks or registered trademarks of their respective owners. © Copyright, 2018. PulseR, LLC. All rights reserved.