

High Frequency Balun Adaptor

For SMPTE-292M HDTV
Ruggedized



- R** Transforms 100Ω balanced differential signal to 75Ω, Grounded unbalanced signal.
- R** Designed for SMPTE-292M HDTV application at 1.485GBs data rate.
- R** Storage Temperature: -55°C to +125°C.
- R** Moisture Sensitivity Level: 1

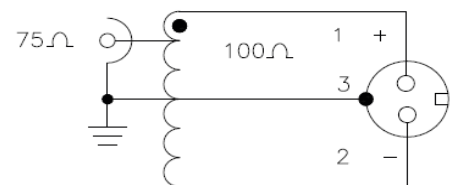
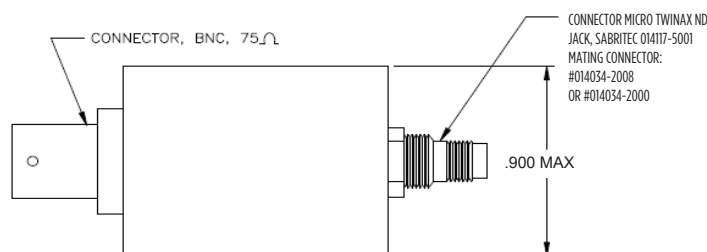
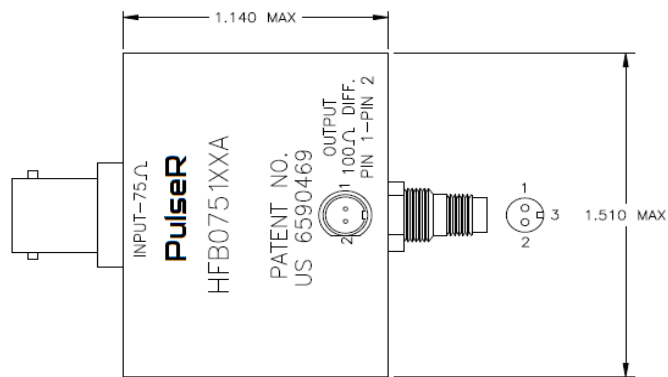
Electrical Specifications @ 25°C - Operating Temperature -55°C to +125°C

Part Number	Impedance Unbalanced	Impedance Balanced	Insertion Loss db MAX. 1.485 GBs	Jitter Dj pSec. Max. 1.485 GBs, PN7
HFB075100A	75	100	-2.0	110.0
HFB075100B	75	100	-2.0	110.0
HFBL075100A	75	100	-2.0	110.0
HFBL075100B	75	100	-2.0	110.0

Mechanical

Schematic

HFB075100A



Notes:

1. Weight..... 42.168gm
2. Pan/Tube Size= 15

High Frequency Balun Adaptor

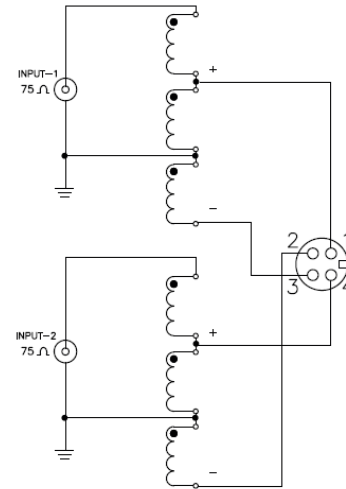
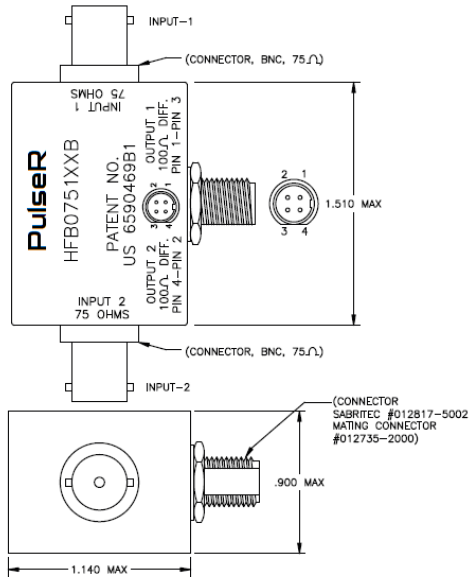
For SMPTE-292M HDTV
Ruggedized



Mechanical

Schematic

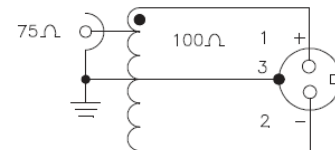
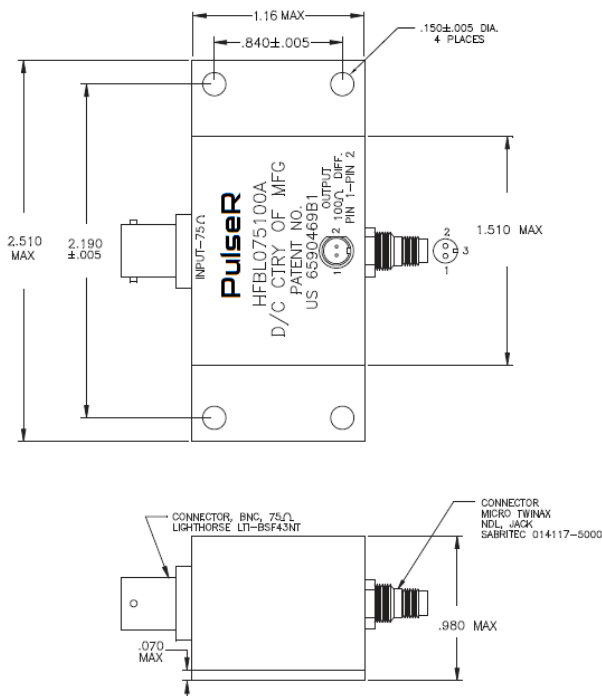
HFB075100B



Mechanical

Schematic

HFBLO75100A



Notes:

1. Weight..... 48.36gm
2. Pan/Tube Size= 15

High Frequency Balun Adaptor

For SMPTE-292M HDTV

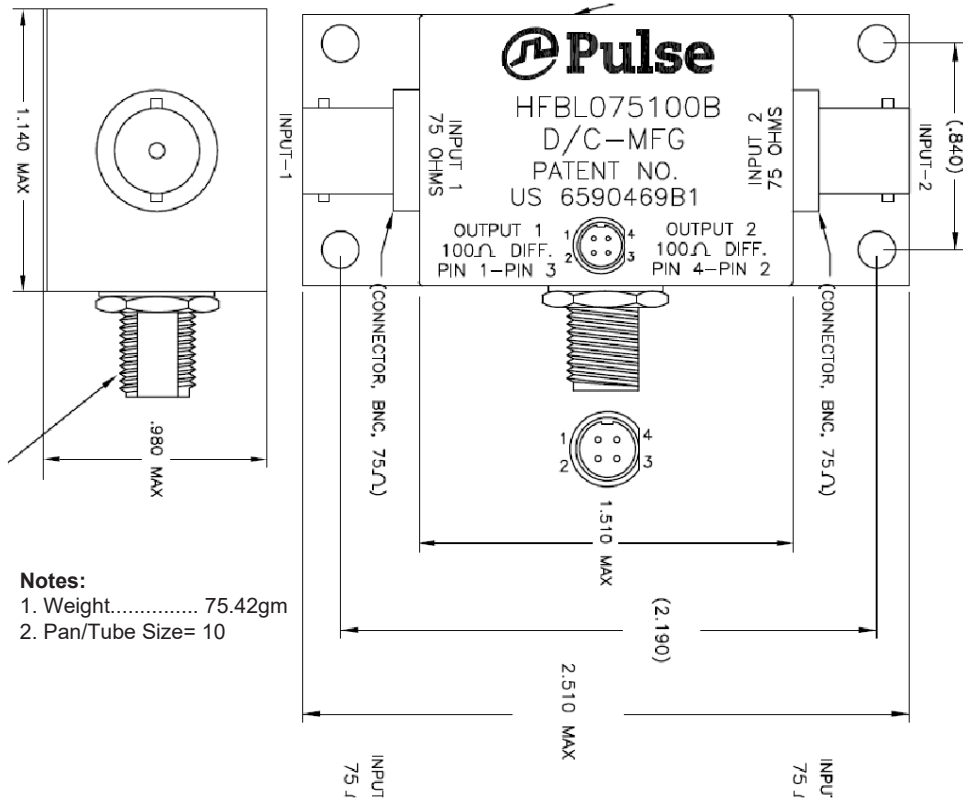
Ruggedized



Mechanical

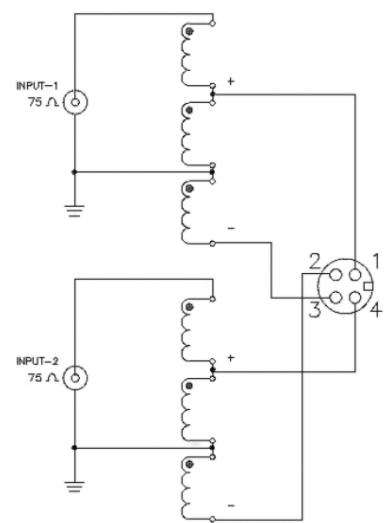
Schematic

HFBL075100B



Notes:

- 1. Weight..... 75.42gm
- 2. Pan/Tube Size= 10



For More Information

Pulse North America Headquarters

Two Pearl Buck Court
Bristol, PA 19007
U.S.A.

For Global Sales Representatives and Locations Visit:

<http://www.pulseruggedized.com>

Tel: +1.215. 781. 6400
Fax: +1.215. 781. 6403

Performance warranty of products offered on this data sheet is limited to the parameters specified. Data is subject to change without notice. Other brand and product names mentioned herein may be trademarks or registered trademarks of their respective owners. © Copyright, 2018. PulseR, LLC. All rights reserved.